

PART NAME

NEMA 4X DIE CAST ALUMINUM ENCLOSURE

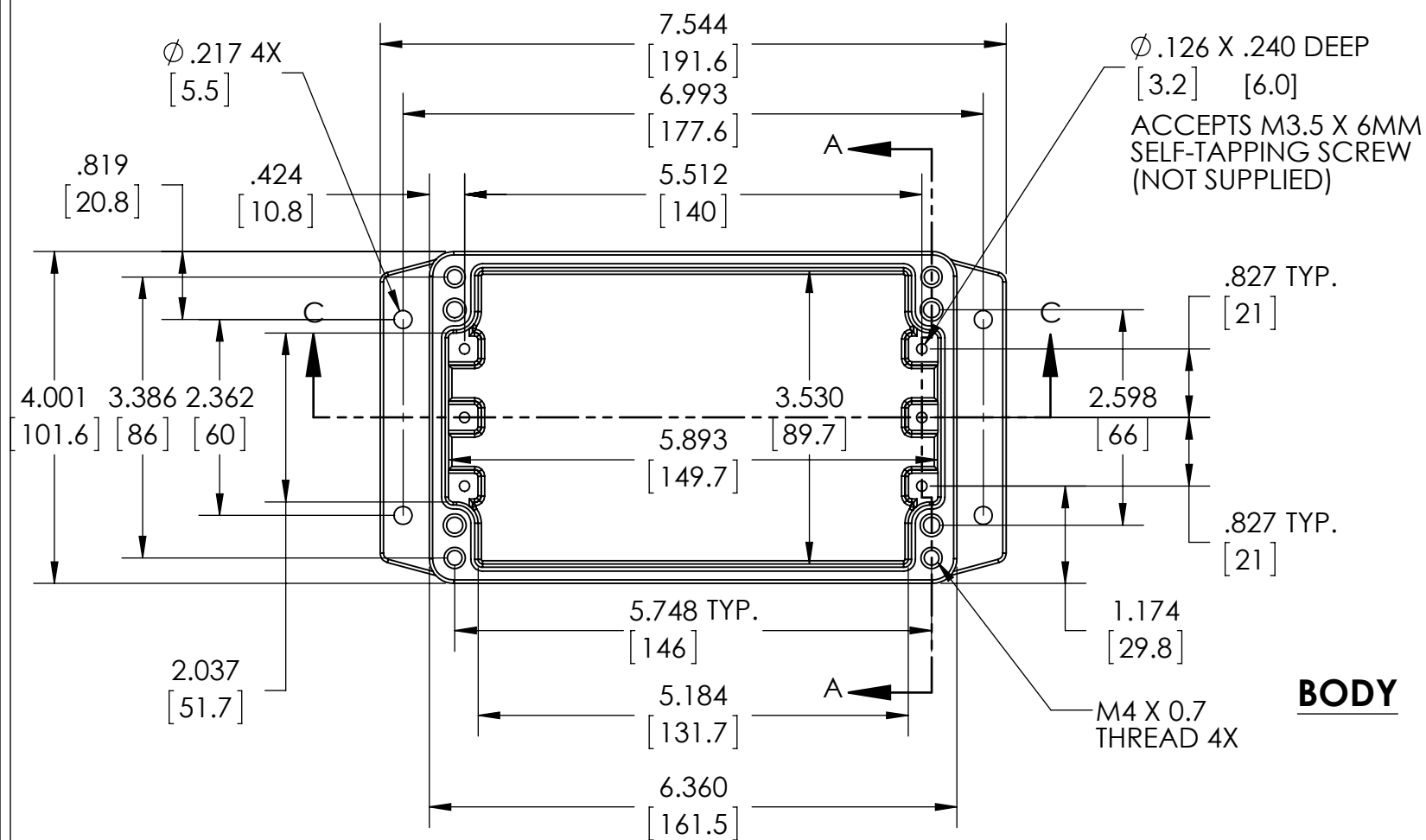
PART No.

AN-2867

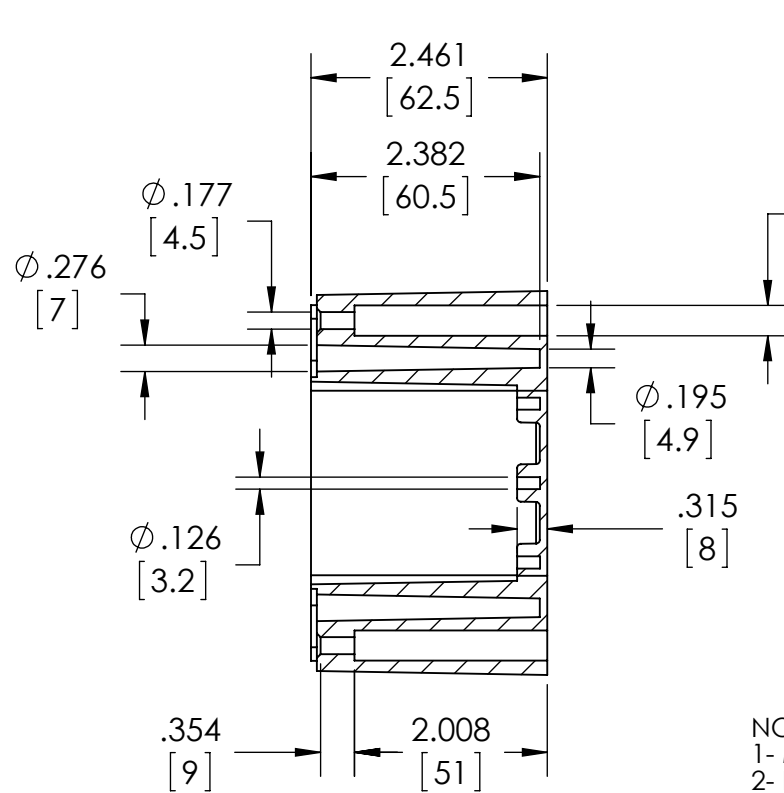
AN-2867-B

REVISION DATE

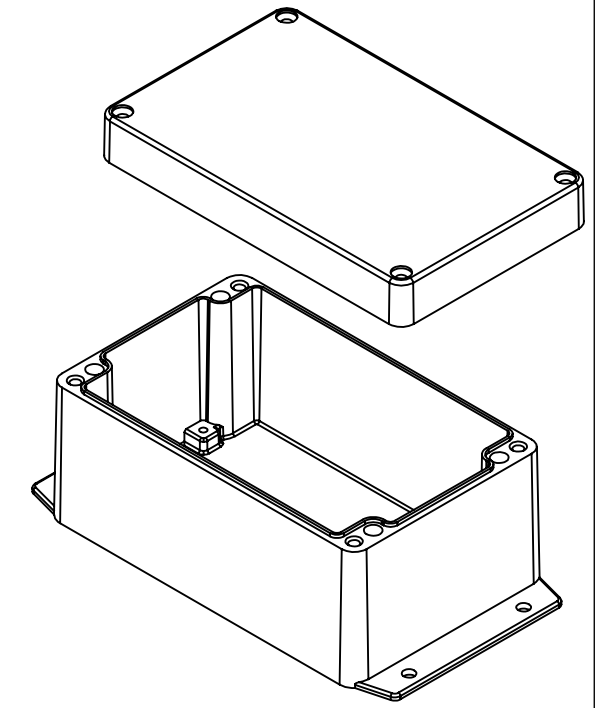
3-19-14



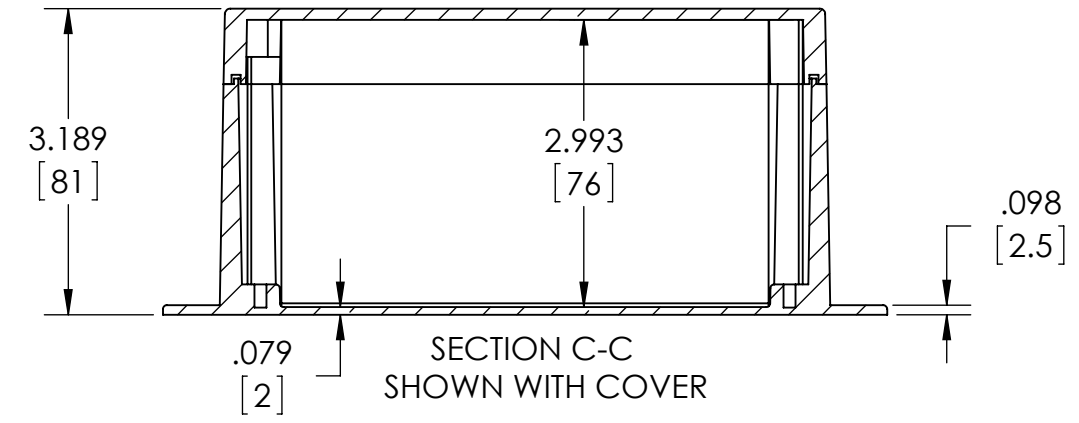
BODY



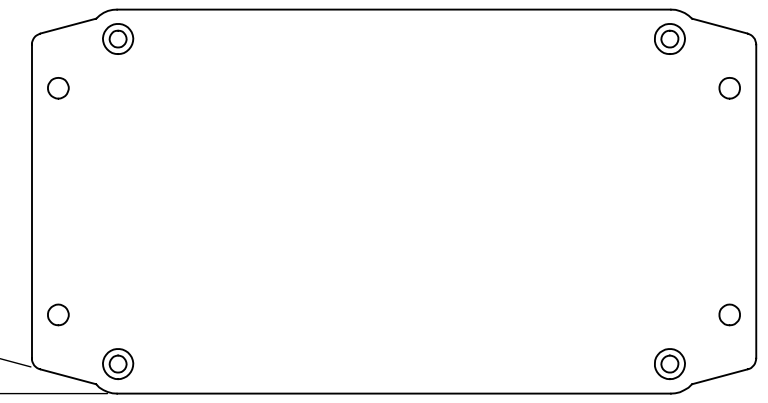
SECTION A-A



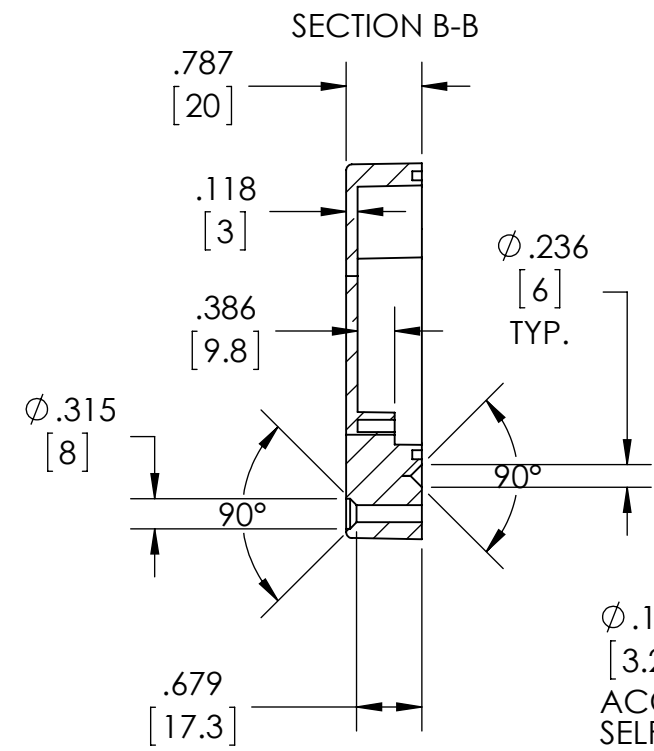
- NOTES:
 1- MATERIAL: ALUMINUM ALLOY ADC-12
 2- FINISH: NATURAL (NO SUFFIX) BLACK (SUFFIX -B)
 3- FOUR (4) M4 X 0.7mm SCREWS SUPPLIED FOR ASSEMBLY OF COVER TO BODY
 4- ALL HOLE DIAMETERS HAVE $\pm .005$ [.12] TOLERANCE. ALL OTHER DIMENSIONS HAVE $\pm .015$ [.38] TOLERANCE.
 5- ALL OUTSIDE DRAFT ANGLE: 1° ALL INSIDE DRAFT ANGLE: 1/2°
 6- DIMENSIONS ARE INCH[MM]



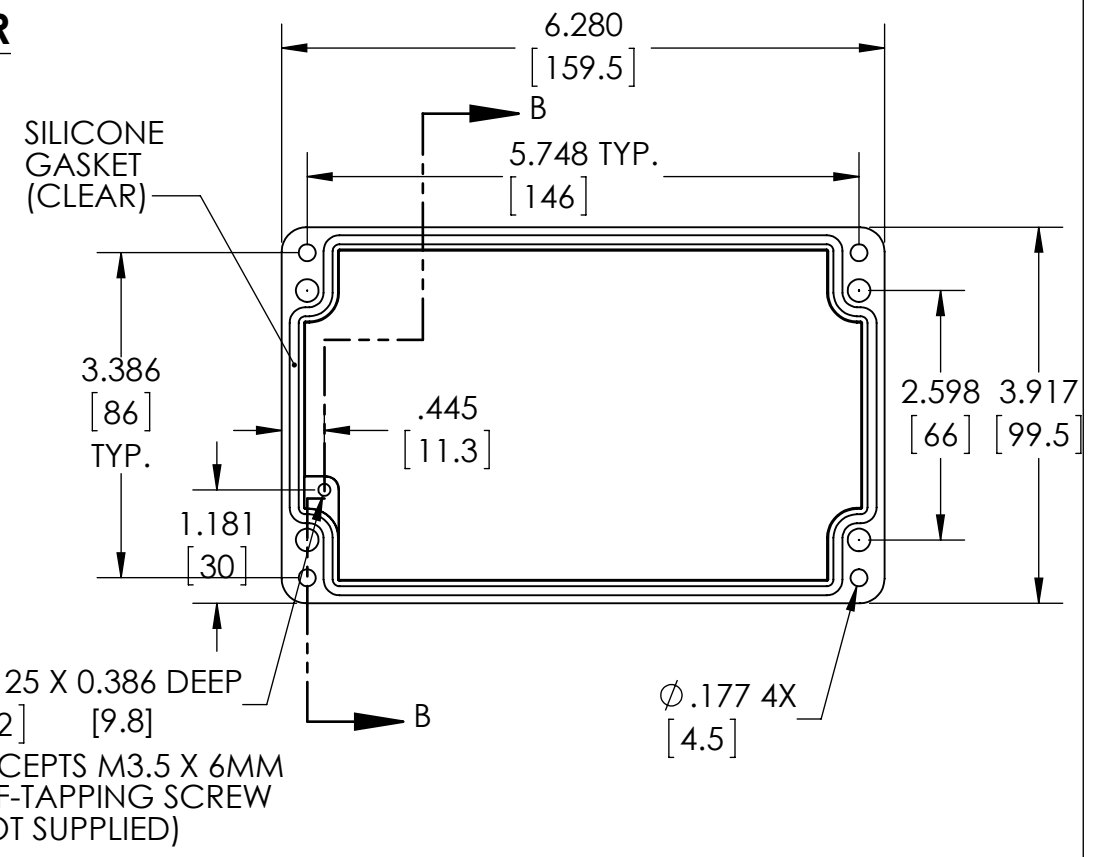
SECTION C-C SHOWN WITH COVER



COVER



SECTION B-B



SILICONE GASKET (CLEAR)